

# Conversion instructions

Conversion kit for  
oilseed rape

for

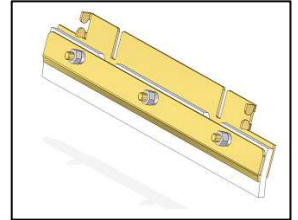
*PS 120-500*



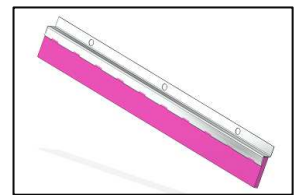
Version: 04/2013, v1.0

**The following components must be present, in order to perform the conversion to your PS:**

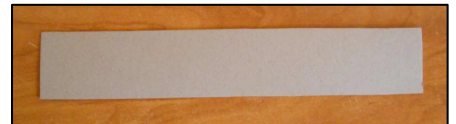
- 1x "Sweeper adjustment rail P8 oilseed rape kit, assembled", consisting of:
- 1x Sweeper adjustment rail
  - 1x PU (polyurethane) strip with Shore hardness 50°A
  - 1x Sheet-metal profile
  - 3x M6 lock nuts



- 1x "Sylodyn elbow fitted to aluminium rail", consisting of:
- 1x Sylodyn plate
  - 1x Sylodyn 325x32x5
  - 1x Strip of double-sided adhesive tape



- 1x Cardboard strip (for adjusting the gap between the PU strip and sowing shaft)

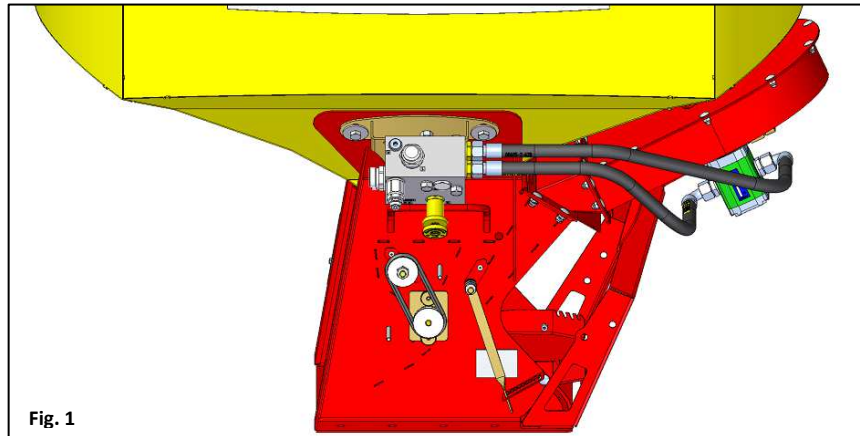


- 2x M6x20 carriage bolts

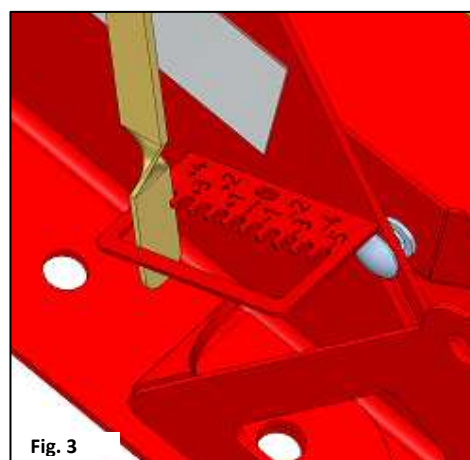
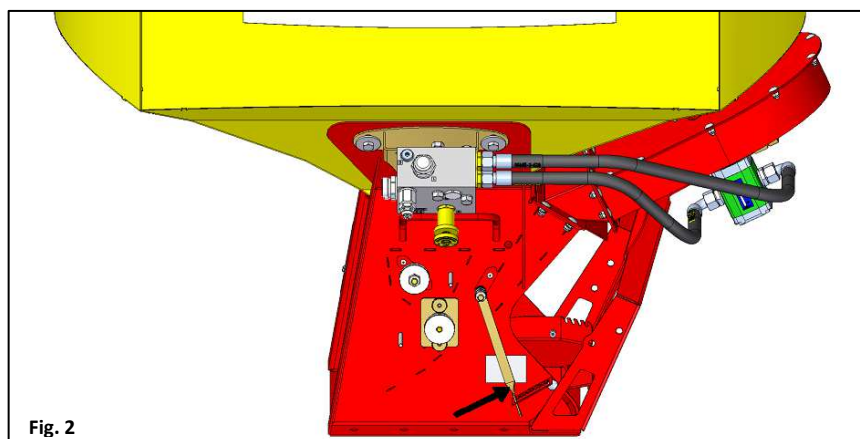


## The conversion is performed as follows:

Original state:



1. Remove the belt and set the sweeper adjustment to the highest level (+4)



- Unscrew the two knurled bolts and pull out the bearing flange together with the sowing shaft.

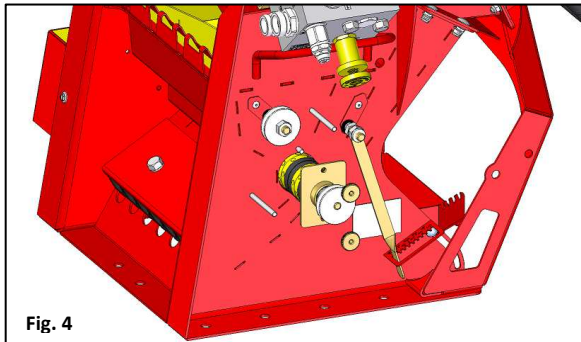


Fig. 4

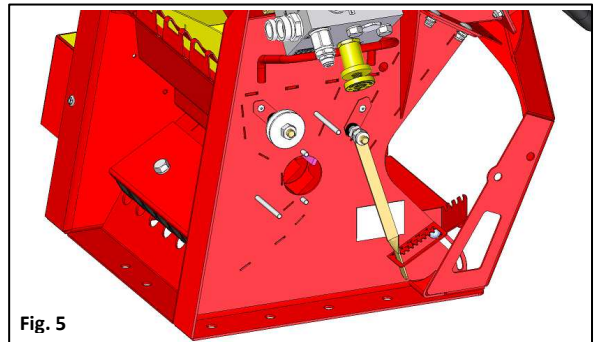


Fig. 5

- Remove the sowing shaft cover (Fig. 6) by undoing the star knobs. Take out the shaft air sheet (Fig. 7) by removing the four bolts.

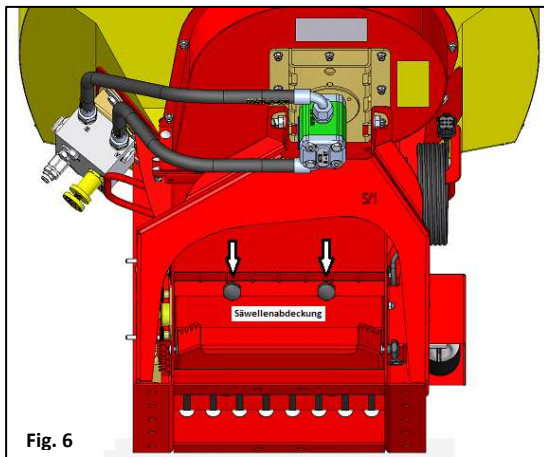


Fig. 6

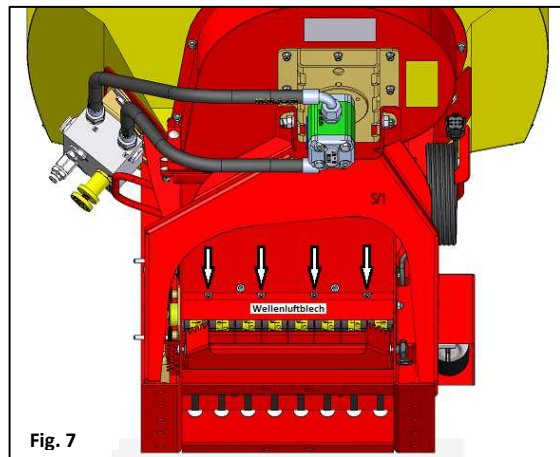


Fig. 7

- Loosen the fastening bolts (inside the container) of the sweeper slightly. Undo no circumstances should the nuts be removed altogether.

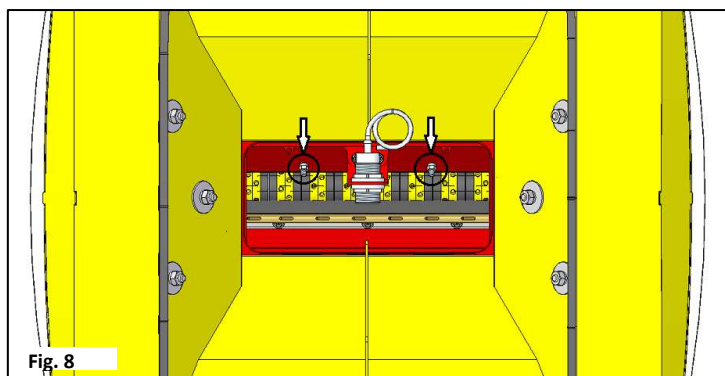


Fig. 8

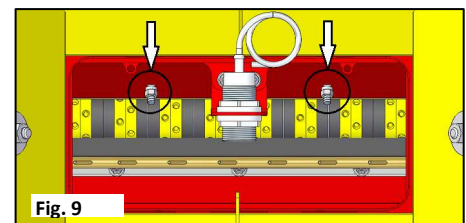
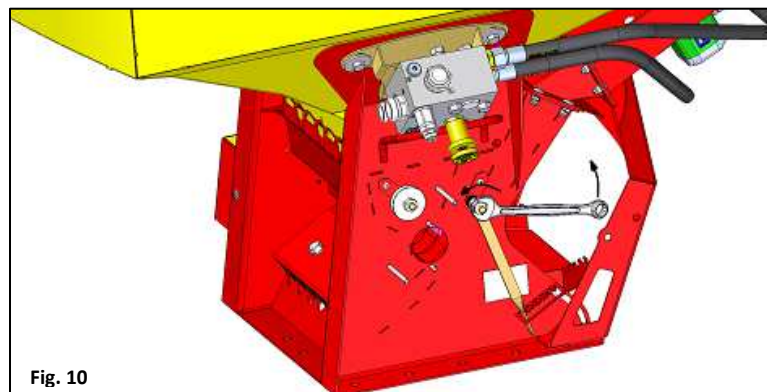
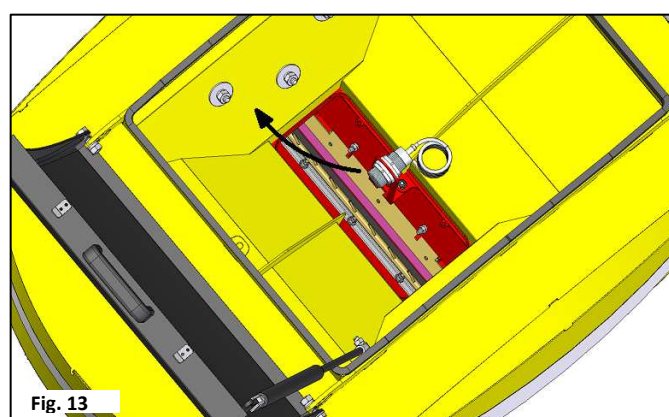
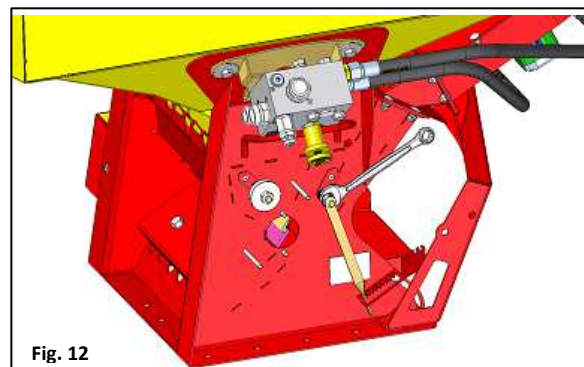
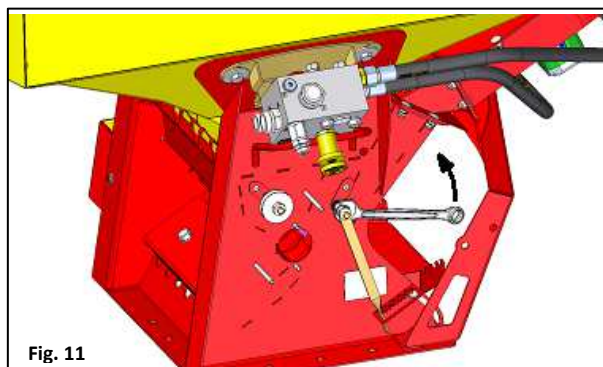


Fig. 9

- Undo the lock nut used to clamp the sweeper adjustment lever. If necessary, counter with a second open-ended spanner.

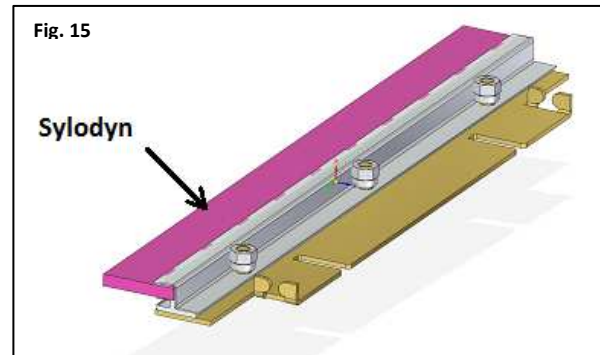
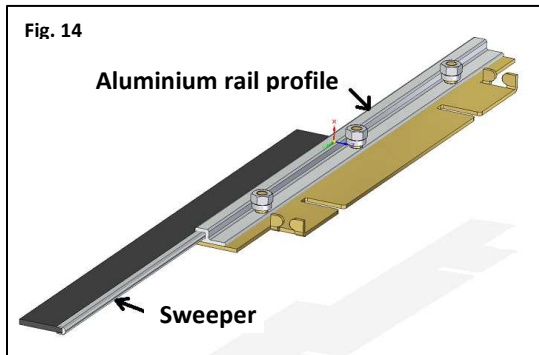


- By turning the level adjustment shaft (Fig. 11) anticlockwise (if necessary with an open-ended spanner) "adjust" the sweeper in a downwards direction until it drops down, as shown in Fig. 12. Then the sweeper can be removed through the inside of the container (Fig. 13).

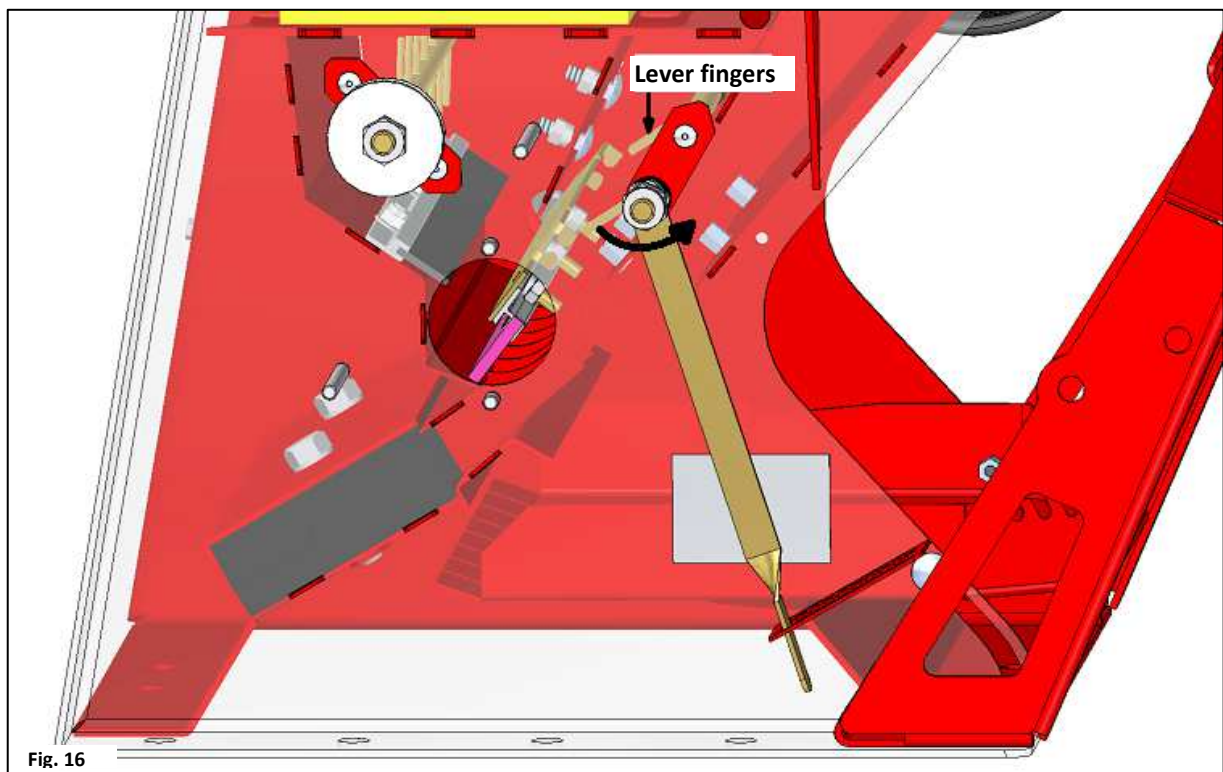


7. Remove the sweeper from the sweeper adjustment rail. To do so, slide the sweeper out of the side of the aluminium rail profile. If necessary, carefully tap it out with a hammer and punch (Fig. 14).

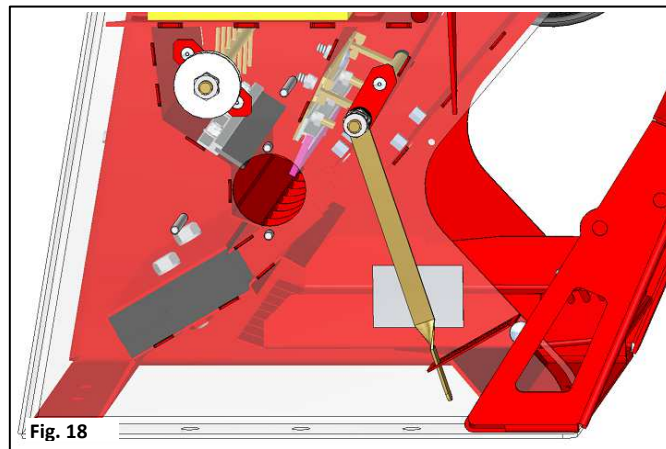
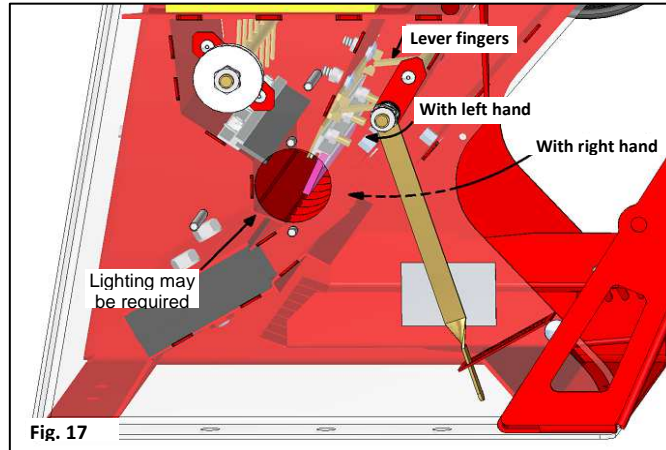
If the Sylodyn strip is already present, this step has been performed. Otherwise, the Sylodyn strip with plate (scope of delivery) must be bolted to the sweeper adjustment rail (Fig. 15) along with the aluminium rail (already installed).



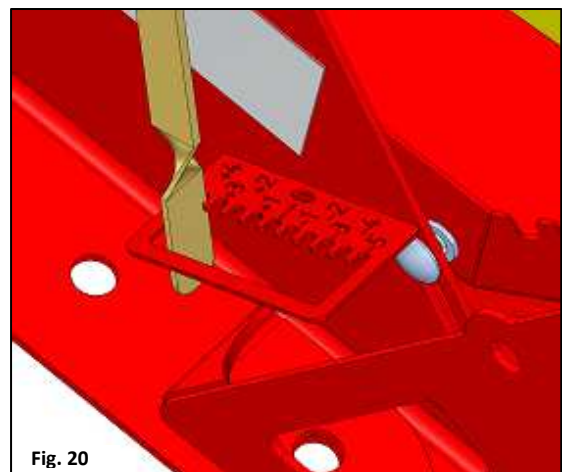
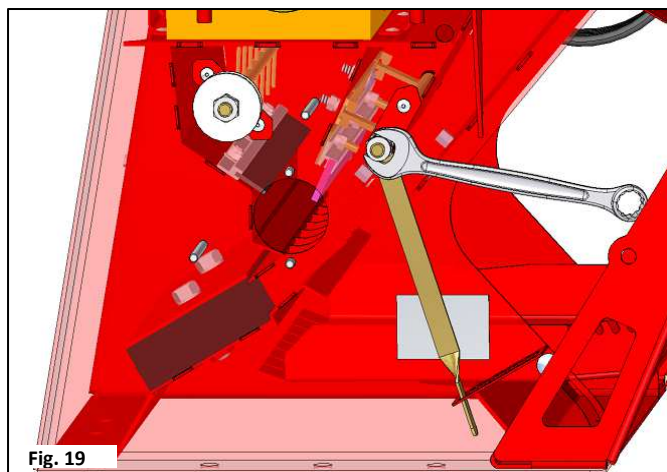
8. Position the Sylodyn assembly such that it is located as shown in Fig. 12. First turn the sweeper adjustment shaft anticlockwise, so that the two fingers of the lever are pointed diagonally downwards on the sweeper adjustment shaft (Fig. 16).



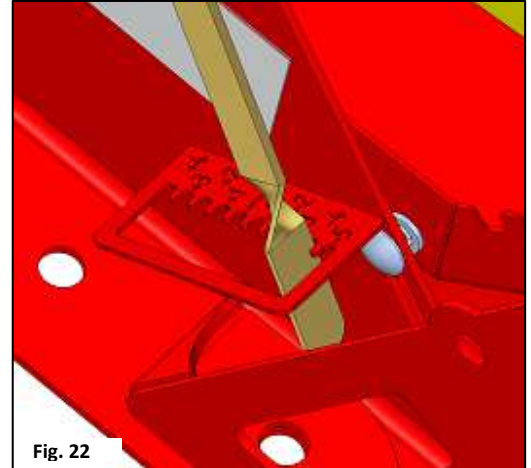
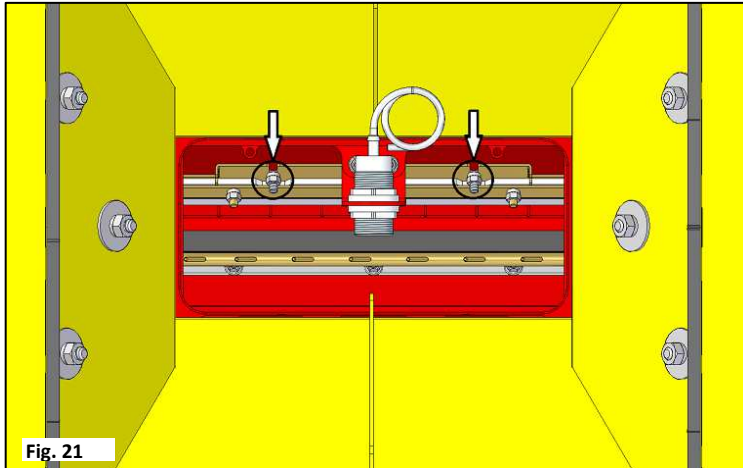
Then use your right hand from behind to evenly lift the Sylodyn assembly upwards slightly, while at the same time rotating the sweeper adjustment shaft with your left hand, so that the two fingers of the lever engage in the lugs (Fig. 17, 18). It is recommended to use a light source for better visibility, to give you a better view of the lugs.



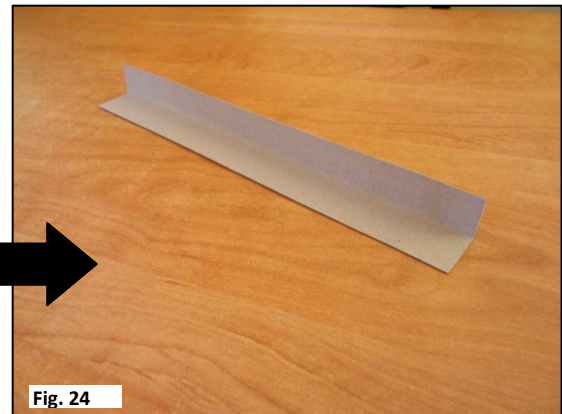
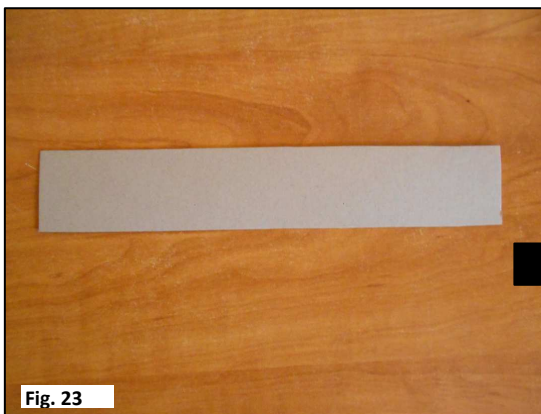
Position the Syldyn assembly right at the top using the sweeper adjustment shaft (rotate clockwise) (if necessary, you can assist with your right hand by pushing up on the Syldyn) and tighten (lock) the sweeper adjustment lever at the highest level again (+4) using the nut which was undone in point 5. The Syldyn assembly can then be adjusted with the sweeper adjustment lever again.



9. Fit the "Sweeper adjustment rail P8 oilseed rape kit, assembled" (scope of delivery) to the frame from the inside of the container. To do so, insert the "Sweeper adjustment rail P8 oilseed rape kit, assembled" between the plate of the frame and the two nuts, which should still be loosened, and very slightly tighten the nuts so that the Sylodyn assembly can still be adjusted with the sweeper adjustment lever and position the lever immediately to sweeper position -4.



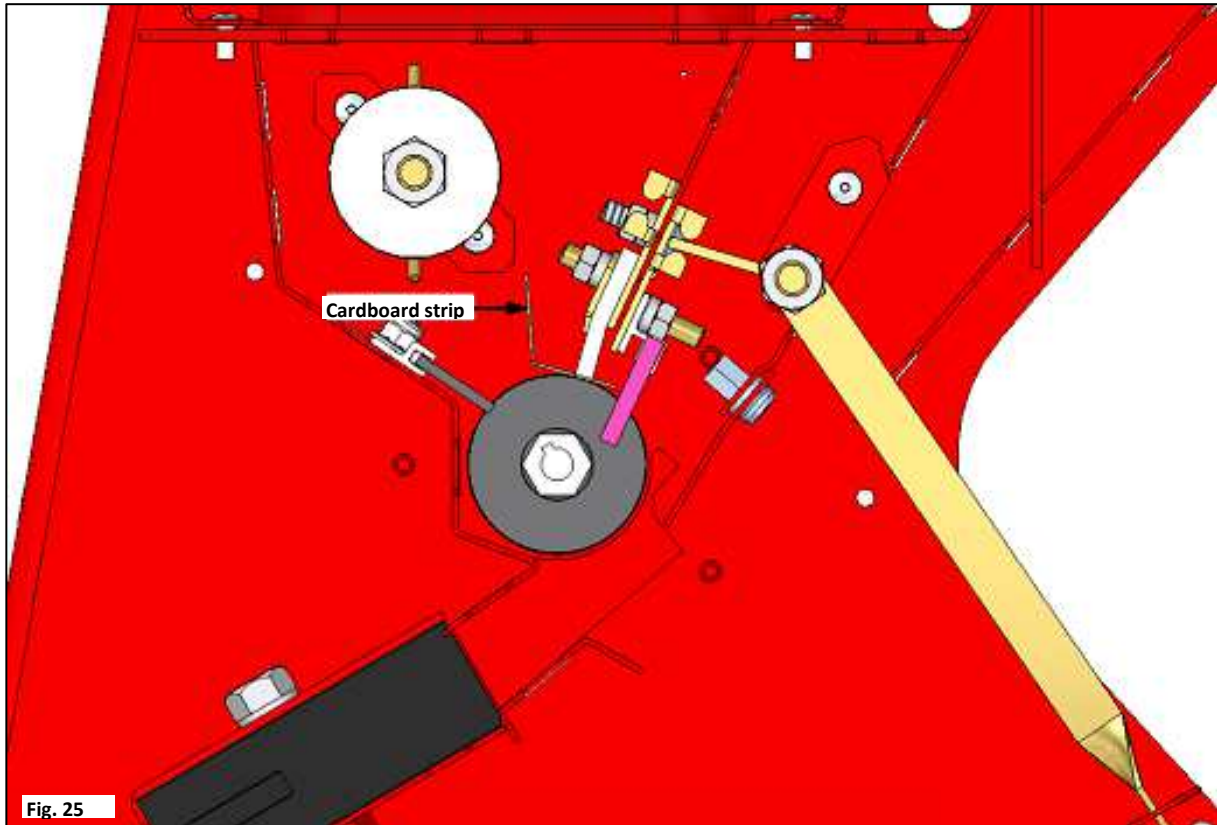
10. Restore the unit to its original state; however, do not mount the sowing shaft cover yet, as a final calibration test still has to be performed. To do so, follow points 3 (excluding the sowing shaft cover), 2 and 1 in reverse order.
11. Bend the enclosed cardboard strip to a 90 degree angle in the middle, so that it roughly forms a right angle. Make sure that the edges are not damaged!





12. Insert/position the cardboard strip between the PU strip and the sowing shaft and gently push the PU assembly against the cardboard strip. The cardboard should be under light pressure from the PU, such that it can still be removed with relative ease, while still exhibiting slight resistance.

**Make absolutely sure that the gap is adjusted evenly along the full length of the sowing shaft!**

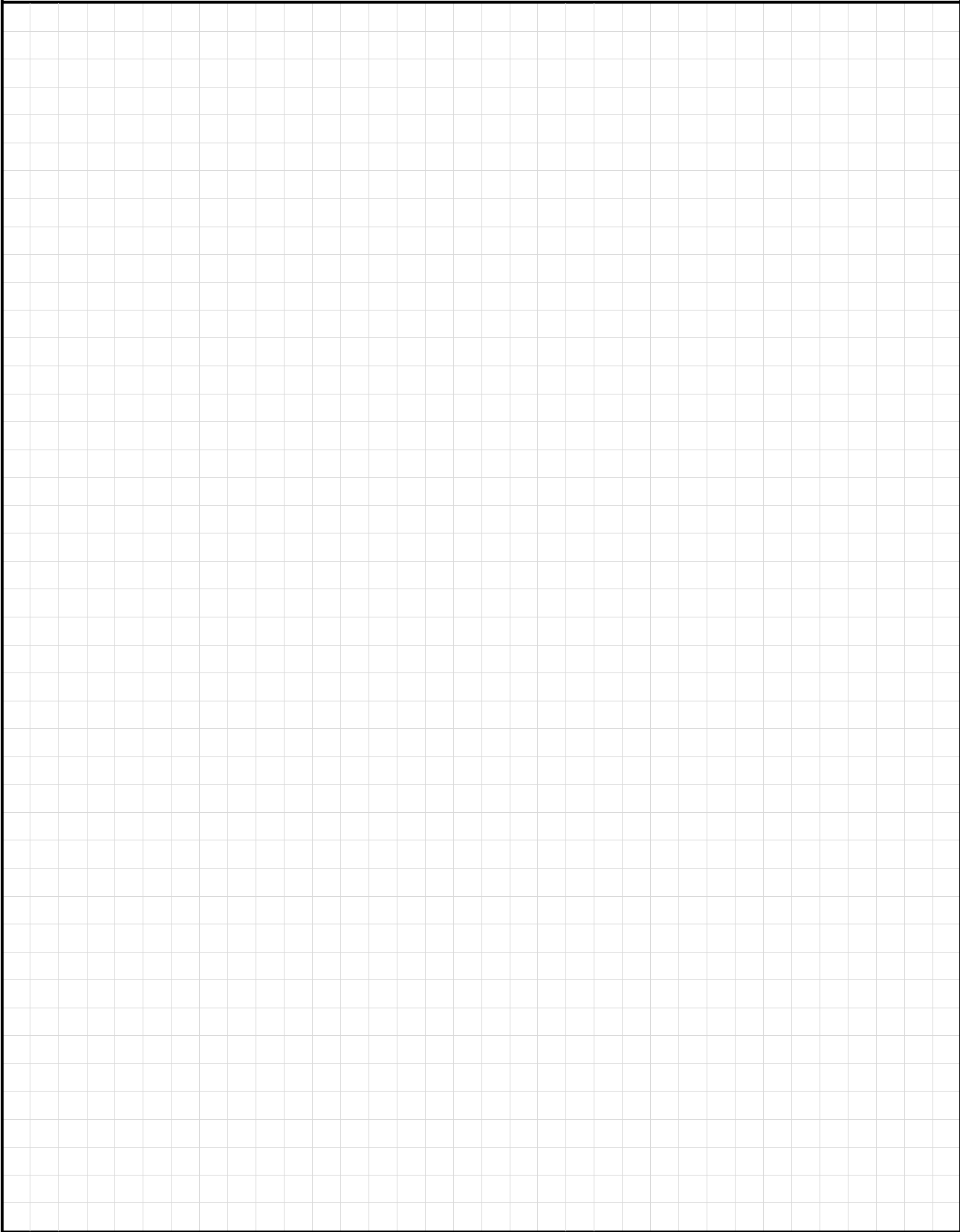


Once the gap has been set, the two fastening bolts in Fig. 21 must be tightened. Make sure that the sweeper is in position -4, as the lever can no longer be moved once the bolts are tightened!

13. Finally, a calibration test must also be performed with seed. If too much seed is being discharged at one of the outflows (sowing wheels) (to be judged by sight), then the gap must be readjusted. Once the discharge is even throughout, the conversion process is complete!

**Notes**

A large rectangular area filled with a fine grid pattern, intended for taking notes. The grid consists of small squares and occupies most of the page below the header.



# Quality for professionals

Inspired by farmers & realised by professionals



**APV Technische Produkte GmbH**  
Dallein 15  
A-3753 Hötzelndorf

**Tel.: +43(0)2913 8001**  
**Fax.: +43(0)2913 8002**

**[www.apv.at](http://www.apv.at)**  
**[office@apv.at](mailto:office@apv.at)**